

Performance you can trust

FOODLUBE® Autolube



Food grade, multipurpose, EP grease with PTFE in an automatic lubricator

Product Overview

The ROCOL® FOODLUBE Autolube is an electromechanically operated automatic lubricator containing the high performance FOODLUBE Premier grease.

FOODLUBE Premier is a soft, white, non-toxic lubricant designed for the effective lubrication and protection of ball, roller and plain bearings, slides and bushes particularly those operating in food, pharmaceutical and other clean environments.

FOODLUBE Premier is an excellent all purpose grease offering excellent water wash off resistance and corrosion protection necessary for lubricants used in food, pharmaceutical and other clean environments.

FOODLUBE Premier has improved pumpability making it particularly suitable for applications where long pipe runs or small bore tubing has been used.

Features and Benefits

- FOODLUBE Premier offers an excellent wide temperature resistance of -30°C to +180°C.
- It exhibits excellent EP performance with a 4-ball weld load of 315 kg.
- FOODLUBE Premier is highly resistant to water wash off and offers excellent corrosion protection.
- FOODLUBE Premier has excellent oxidation stability resulting in extended relubrication intervals and a reduction in lubricant usage.

FOODLUBE Premier is particularly suitable where long pipe runs or small bore tubing is present.

Directions for Storage and Use

- Prime the mounting point with FOODLUBE Premier prior to fitting the Autolube.
- Set the correct timing as explained later in this document.
- When the unit is ready to be attached to the lubrication point press the SET button on the top as explained later in this document.
- Screw the unit into an R1/4 (¼ BSP) female fitting attached to the lubrication point immediately.
- The storage temperature should be controlled between +1°C and +40°C
- Shelf life is 3 years from date of manufacture.

Specifications

- FOODLUBE Premier does not contain: mineral hydrocarbons, animal derived materials, nut oils or genetically modified ingredients.
- FOODLUBE Premier is manufactured from only FDA listed ingredients: FDA Group 21 CFR 178.3570
- NSF H1 registered – 141084
- Halal certified
- Kosher certified

Pack Sizes

Pack Size	Part Code
Complete Autolube - 120ml	15224
Refill ONLY – 120ml	15220

T +44 (0) 113 232 2600
F +44 (0) 113 232 2740
E customer-service@rocol.com
www.rocol.com

ROCOL House, Swillington, Leeds LS26 8BS

Registered Company No. 559693 VAT No. 742 0531 67
Registered Office: Admiral House, St Leonard's Road, Windsor, Berkshire SL4 3BL

ROCOL A division of **ITW** Ltd



FM 12448



EMS 67596



OHS 78173



FOODLUBE® Autolube



Food grade, multipurpose, EP grease with PTFE in an automatic lubricator

Property	Test Method	Result
Appearance	Visual	White tenacious grease
Worked Penetration	IP 50 – ASTM D217	290-340
Base Type	N/A	Polyalphaolefin
Base Fluid Viscosity at 40°C	IP71 – ASTM D445	150cSt
Base Fluid Viscosity at 100°C	IP71 – ASTM D445	18cSt
Thickener	N/A	Complex soap
Solids	N/A	White, non-toxic solids/PTFE
Temperature Range	N/A	-30°C to +180°C
Autolube Operating Range	N/A	-10°C to +60°C
4-Ball Weld Load	IP 239 – ASTM D2596	315kg
SKF ROF Bearing Life	N/A	1390 hours
Corrosion Test - Emcor	IP 220	0:0
Copper Corrosion Test	IP 112 – ASTM D130	1b
Water Washout Test	IP 215 – ASTM D1264	<2%
Drop Point	N/A	>230°C
Diameter of Autolube complete	N/A	75mm (3 inches)
Length of Autolube complete	N/A	178mm (7 inches)

Values quoted above are typical and do not constitute a specification.

Safety Data Sheets

Safety data sheets are available for download from our website www.rocol.com or may be obtained from your usual ROCOL contact.

T +44 (0) 113 232 2600
 F +44 (0) 113 232 2740
 E customer-service@rocol.com
www.rocol.com

ROCOL House, Swillington, Leeds LS26 8BS

Registered Company No. 559693 VAT No. 742 0531 67
 Registered Office: Admiral House, St Leonard's Road, Windsor, Berkshire SL4 3BL

ROCOL A division of **ITW** Ltd



FM 12448



EMS 67596



OHS 78173



TECHNICAL DATA FOR ROCOL FOODLUBE AUTOLUBE

SETTING THE DISPENSING PERIOD

A simple calculation can aid selection:

Select a factor considering any adverse conditions ie... Dust, water, loading, vibration etc...

SEVERITY OF OPERATING CONDITIONS	FACTOR
MEDIUM	10
HEAVY	15
VERY HEAVY	20

Add the factor to the bore of the bearing (in millimetres) ie. 15 + 25mm bore = 40

Read the lubrication interval from the chart below:

SUM OF BEARING BORE IN mm PLUS OPERATING CONDITION FACTOR	LUBRICATION INTERVAL FOODLUBE Autolube
< 50	12 months
50 – 70	6 months
70 – 100	3 months
100 – 135	1 month
> 135	Consult ROCOL

ADDITIONAL INFORMATION:

FOODLUBE settings (months)	1	3	6	12
ml/day dispensed	4.00	1.33	0.67	0.33
Approx. hours between 0.56 ml shots	3.5	10	20	40

N.B. A standard grease gun dispenses approx. 1gm (1ml) per shot. (Volume-approx. 1 cm³)

The information in this publication is based on our experience and reports from customers. There are many factors outside our control or knowledge which affect the use and performance of our products, for which reason it is given without responsibility Issue 7 10-17

T +44 (0) 113 232 2600
 F +44 (0) 113 232 2740
 E customer-service@rocol.com
 www.rocol.com

ROCOL House, Swillington, Leeds LS26 8BS

Registered Company No. 559693 VAT No. 742 0531 67
 Registered Office: Admiral House, St Leonard's Road, Windsor, Berkshire SL4 3BL

ROCOL A division of **ITW** Ltd



Performance you can trust

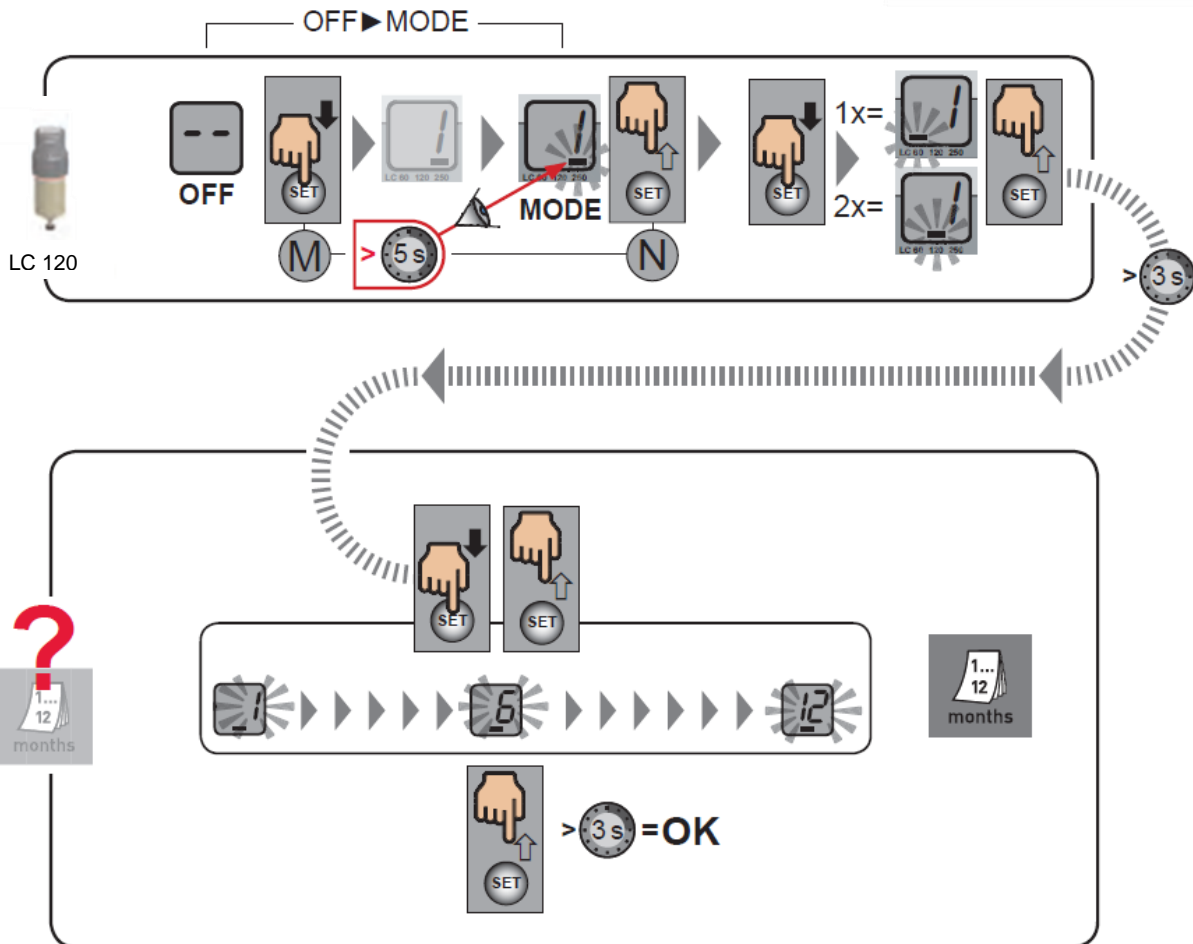
OPERATING INSTRUCTIONS



Insert batteries



Display: --



T +44 (0) 113 232 2600
 F +44 (0) 113 232 2740
 E customer-service@rocol.com
 www.rocol.com

ROCOL House, Swillington, Leeds LS26 8BS

Registered Company No. 559693 VAT No. 742 0531 67
 Registered Office: Admiral House, St Leonard's Road, Windsor, Berkshire SL4 3BL

ROCOL A division of *ITW* Ltd



FM 12448



EMS 67596



OHS 78173



Performance you can trust

TECHNICAL DATA FOR ROCOL FOODLUBE AUTOLUBE

SPECIFICATIONS

- The ROCOL FOODLUBE Autolube is an electromechanical, reusable, automatic lubricator
- Autolube mounting is an R1/4 (¼ BSP) male thread
- Dispensing – 0.56 ml each operating cycle
- Capacity – 120 ml per cartridge
- Temperature range of the Autolube unit is -10°C to +60°C with a constant discharge pressure
- Pressure build-up to 6 bar allows remote mounting with 6mm bore nylon tubing up to 3 mtr away
- The ROCOL FOODLUBE Autolube is manufactured to IP65 (Not for submerged applications)
- The ROCOL FOODLUBE Autolube is not classified as intrinsically safe
- All around visible LED lights signal functions and errors
- The unit can be switched off
- Drive unit can be reused – Replacement cartridges are supplied with new batteries

T +44 (0) 113 232 2600
F +44 (0) 113 232 2740
E customer-service@rocol.com
www.rocol.com

ROCOL House, Swillington, Leeds LS26 8BS

Registered Company No. 559693 VAT No. 742 0531 67
Registered Office: Admiral House, St Leonard's Road, Windsor, Berkshire SL4 3BL

ROCOL A division of **ITW** Ltd

